

1-155.01 Quarter-Turn with L-Handle Pr20.1 L30-60

Hand operable with L-handle with or without key, IP65, Pre-assembled w/o cam

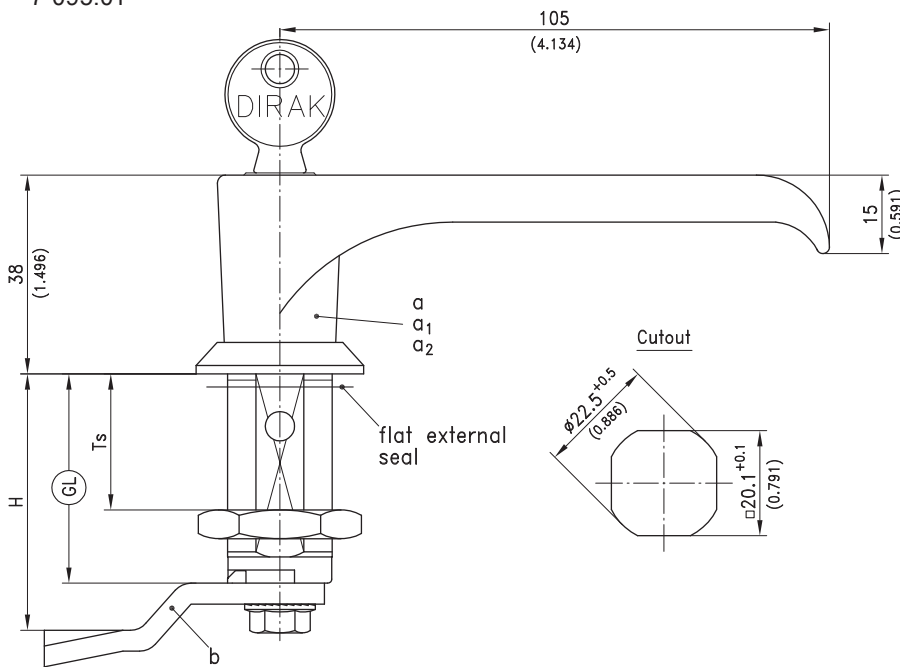


Product Notes:

- Extended housings for maximum door thickness 50mm
Housings with L = 36mm on request
- Water and dust tight according to IP65, DIN EN 60529
- RH and LH applicaton
- Detailed dimensions of handles see Product System 1-150
- Plain or grounding nut available
- Stainless steel - see Product System 7-095.01

Material:

- **Handle:** See table
- **Housing:** Zinc Die
- **Flat external seal:** NBR/Perbunan, Black
- **Cam:** Steel, Zinc Plated



Length of 4-hole housing (GL)	30	40	50	60	See Page
Door-thickness Ts	20	30	40	50	
a) Quarter-turn with L-handle PA, Black with Zinc Die core					
Non locking	200-9404	200-9405	200-9406	200-9414	
Keyed alike DIRAK 1333*	200-9407	200-9408	200-9409	200-9415	
Keyed alike DS200*	500-9407	500-9408	500-9409	500-9415	
Keyed different	200-9410	200-9411	200-9412	200-9416	
a1) Quarter-turn with L-handle Zinc Die, Chrome Plated					
Non locking	200-9439	200-9440	200-9441	200-9442	
Keyed alike DIRAK 1333*	200-9443	200-9444	200-9445	200-9446	
Keyed alike DS200*	-	500-9444	-	-	
Keyed different	200-9447	200-9448	200-9449	200-9450	
PAGODA keyed alike	501-9443	501-9444	501-9445	501-9446	
PAGODA keyed different	501-9447	501-9448	501-9449	501-9450	
a2) Quarter-turn with L-handle Zinc Die, Black					
Non locking	200-9451	200-9452	200-9453	200-9454	
Keyed alike DIRAK 1333*	200-9455	200-9456	200-9457	200-9458	
Keyed alike DS200*	-	500-9456	500-9457	500-9458	
Keyed different	200-9459	200-9460	200-9461	200-9462	
PAGODA keyed alike	501-9455	501-9456	501-9457	501-9458	
PAGODA keyed different	501-9459	501-9460	501-9461	501-9462	
b) Cam					01.101
Special cams					01.102
All lockable handles supplied with two keys.					
Part No. for PAGODA version with master key system on request.					
* with stainless dust-shutter					